

THE GREENERSIDE

Official Publication of the
Golf Course Superintendents Association of New Jersey

Vol. 14 No. 3

May - June 1990

Fire, floods, and spills

We all have "the right-to-know," but as golf course superintendents you have the "responsibility" to know how the Environmental Cleanup Responsibility Act works in new Jersey. EPCRA is another acronym that will be part of the vocabulary of the 1990s. It stands for Emergency Planning and Community Right-to-Know Act. This issue's cover article will help sort out some of the complexities of EPCRA for the golf course superintendent and help you be better prepared in the event of a major emergency.

HOW EPCRA WORKS IN NEW JERSEY

As a response to growing concerns about the effects of chemical releases on communities, the U.S. Congress enacted the Emergency Planning and Community Right-To-Know Act (EPCRA) in 1986. The act supports state and local emergency planning efforts and provides citizens and local governments with information concerning potential chemical hazards present in their communities by requiring reports from businesses — including golf courses — that deal with hazardous chemicals.

New Jersey's 1983 Worker and Community Right-To-Know Act established a procedure for employers to disclose hazardous substance information. The act also guarantees public access to that information. A comprehensive database that includes information about hazardous substances has been developed as a support tool for emergency response, community planning and enforcement activities.

The law is jointly administered by the New Jersey Departments of Health, Labor, Treasury and Environmental Protection.

Under the law, golf course operations must complete Right-to-Know surveys annually by March 1, reporting the names and quantities of hazardous materials
(Please turn to page 6)



IN THIS ISSUE

Editorial.....	2
President's Message.....	3
Calendar.....	3
GCSANJ News.....	4,5
Get ready, get set.....	7
Letter to the editor.....	7
Don't get the BTA'S.....	8
GCSAA News.....	9
Jim Gilligan's Column.....	10
Turfgrass diseases.....	11
Snow named director.....	15
The Back Nine.....	16
Patron Directory.....	19

THE GREENERSIDE

GCSANJ Newsletter is published six times a year by the Golf Course Superintendents Association of NJ, 66 Morris Ave., P.O. Box 359, Springfield, NJ 07081

Ilona Gray, *Editor*

Bruce Peeples, *GCSANJ Newsletter Liaison*

Glenn Miller, *Business Editor*

Bruce Cadenelli, Armand LeSage,

Paul Powondra, Shaun Barry
Contributing Writers

Please address inquiries to The Greenside, Editor, P.O. Box 3672, Wayne, NJ 07474-3672.

For Ad Placement: Glenn Miller, (201)528-6775, P.O. Box 241, Brielle, NJ 08730.

Art and Typography by Association Management Corporation, Springfield, NJ

© 1989 THE GREENERSIDE

GOLF COURSE SUPERINTENDENTS ASSOCIATION OF NEW JERSEY

66 Morris Ave., Springfield, New Jersey 07081

Officers:

Steve Finamore, CGCS, *President*

Dave Pease, *Vice President*

Chris Carson, *Secretary*

Len Forenza, CGCS, *Treasurer*

Ed Walsh, CGCS, *Past President*

Directors

District 1

Dick LaFlamme

David Mayer

District 3

Paul Powondra

Bruce Peeples

District 2

Larry Dodge

Marty Mantell, CGCS

District 4

Tom Grimac, CGCS

John Carpinelli

Executive Secretary

Judy Policastro

Commercial Representatives:

Steve Chirip Shaun Barry

Opinions expressed in this Newsletter are opinions of the authors and do not express the opinions or policies of the GCSANJ board and membership.

EDITORIALS



It is with considerable pride and pleasure that I can tell you that the newsletter of the Golf Course Superintendents Association of New Jersey, "The Greenside," has received its second award for golf journalism for 1989. The National Golf Foundation has announced that "The Greenside" has been selected as the winner, for Overall Excellence, in the category of the State/Regional Professional Association Newsletter. This award was made possible because of the dedication and character of the contributors, the financial support of the advertisers, and the efforts of Association Management Corporation in producing the final product. Thanks to all of you, we can certainly be proud of "The Greenside."

The award from the National Golf Foundation is called the Harry C. Eckhoff Award. The winners were selected from nearly 100 publications that were entered in the 1989 competition. Entries were judged on content, appearance, and service to golf. "The Greenside" has, in the past, been selected for Special Merit, however, it has never won, "Best Overall." This year's Special Merit awards went to several fine association newsletters: "Carolinas Newsletter," Carolinas Golf Course Superintendents Association; "The Grass Roots," Wisconsin Golf Course Superintendents Association; "Rub of the Green," Hi-Lo (California) Golf Course Superintendents Association; and the "SCPGA News," Southern California Section PGA.

Of course, we don't publish "The Greenside" to win awards; we publish it to keep the GCSANJ membership informed, educated and entertained. It is, however, wonderful to be recognized for the time and effort that goes into "The Greenside." I know that I speak for all of the contributors in saying that during 1990 we will strive to produce another award-winning series of newsletters. The advertising support that "The Greenside" receives has been tremendous. Keep supporting those advertisers.

ILONA GRAY



grass roots
turf products, inc.

You can't grow GRASS without ROOTS

KEN KUBIK
(201) 361-5943

BERT JONES
(201) 686-8709

PRESIDENT'S MESSAGE



Steve Finamore,
CGCS
President GCSANJ

My first time at bat

Last March I received a phone call from a reporter from the "Star Ledger." That day an article had appeared on the front page concerning the safety of pesticides on lawns and golf courses. The article included the General Accounting Office statement that the Environmental Protection Agency isn't doing enough to regulate commercial lawn care services. It also referred to the brother of the Navy lieutenant who reportedly died from fungicide exposure on a golf course. The article continued with a comment from the chairman of the Senate Environment subcommittee stating that the EPA had not given priority to testing lawn care chemicals. It questioned the use of pesticides all together and whether they had been adequately tested before being marketed.

"This was the first time that I was questioned by the media...was I answering appropriately?" Steve Finamore, GCSANJ President

This was the first time I had been questioned by the media. How I wished that I had attended the GCSANJ Educational seminar on dealing with the media last January. Unfortunately, I had missed that seminar and now found myself wondering whether I was answering appropriately. Two days later, way back on page 57 of a 300 or so page Sunday edition, my comments were not even quoted! Fortunately, other pesticide users and industry representatives were included in the article. GCSANJ member Dennis Shea of Morris County Park Commission was one of those

quoted in the article. He did an outstanding job. He spoke on many pesticide issues, mentioning that pesticides can be used safely when properly applied. Golf courses are required to post signs at the starting tees, which alert everyone on the course to the use of pesticides. The article continued with state officials saying that applicator licensing and regulations are probably among the stiffest in the country.

We are an industry that is being watched closely and will continuously be challenged and questioned. The media really wants the facts. When the opportunity comes to answer the questions posed by the media, don't hesitate. Answer the questions professionally and don't be evasive. Our message is important and we must communicate it to the misinformed public.

CALENDAR

- June 5-7** **NJSGA 89th Amateur Championship** - Hominy Hill GC, Colts Neck, NJ. For tournament information, contact: Steve Foehl (201) 338-8334
- June 19** **Metropolitan Golf Writers Gold Tee Dinner** - Stamford Sheraton, Stamford, CT
- June 28 -** **USGA Senior Open** - Ridgewood CC, Ridgewood, NJ. For tournament information, contact: USGA (201) 234-2300.
- July 1** **NJSGA/First Fidelity Open Championship** - Plainfield CC, Plainfield, NJ. For tournament information, contact: Steve Foehl (201) 338-8334.
- July 23** **GCSANJ July Meeting** - Basking Ridge CC, Basking Ridge, NJ. Host: John Fenwick (201) 766-8213.
- July 28-29** **Curtis Cup** - Somerset Hills CC, Bernardsville, NJ. Contact: USGA (201) 234-2300.
- August 6-11** **Women's Amateur** - Canoe Brook CC, Summit, NJ. Contact: USGA (201) 234-2300.
- August 9** **Rutgers Turfgrass Research Field Day** - Cook College, New Brunswick, NJ. Contact: Henry Indyk (201) 932-9453.
- August 13-18** **Girls Junior** - Manasquan River Golf Club, Brielle, NJ. Contact: USGA (201) 234-2300.
- September 13** **GCSANJ Invitational** - Montammy GC, Alpine, NJ. Host: Mike Leary. Contact: (201) 768-8832.

RES. 201-992-2335

BUS. 201-227-7183

Alan G. Cruse, Inc.

GOLF COURSE & LANDSCAPE MATERIALS
DECORATIVE STONE • WHITE SAND • TOPSOIL
HUMUS-TEE & GREEN MIX • BARK MULCH
EARTHLIFE

Established 1953

460 HORSENECK RD.
FAIRFIELD, NJ 07006



SOUTH JERSEY GOLF DEAN DAZZLING AT DISNEY

Jack Nicklaus and Lee Trevino have just started playing on the Senior Tour and it looks like they may dominate it for years. They better start looking over their shoulders towards southern New Jersey, though. They will find a "youngster" there, who, in a few years, may be ready to take some of their money. Bob Prickett is the superintendent at Pennsauken C.C. and has been called by many the dean of superintendents of South Jersey. But it's his golf game that has really drawn some attention both in New Jersey and in Florida.

"Bob continued to use his 3-wood off the tee and hit 16 greens in regulation."

He recently had the chance to compete on the National level in the GCSAA Championship at the Orlando Convention. He requested play in the championship flight but a back problem has caused his handicap to go up. He was placed in the A flight. Despite two, three-putts and a double bogey, he shot a 75 on the Grand Cypress Course. Not a bad opening round when you consider it was a windy day and the greens were rolling at 11. He was being pursued by the likes of Ed Walsh, John Wantz and Armand LeSage. The next and final round was played over the Palm Course at Disney. Bob continued to use his 3-wood off the tee and hit 16 greens in regulation. Even though he missed nine birdie putts under 12 feet, he still shot an impressive 71. While the final round of the championship was played on a different and more difficult course, Bob's total of 146 was three shots better than the winning championship score.

Congratulations on a job well done, Bob, and congratulations to all the other winners who played well and to those who just had a great time. Hopefully, I will be able to join you next year. Viva Las Vegas!

SHAUN M. BARRY
REPORTER

GCSANJ PARTICIPATES IN STATE PGA SHOW

The GCSANJ Public Relations Committee entered a booth at the PGA show held on March 25, 1990 at Fairleigh Dickinson's Rothman Center in Hackensack.

The show opened at 10 a.m. and the center filled quickly with enthusiastic golfers of every shape and size. There was much to see, with the largest number of exhibitors in the show's history on hand. The latest in clubs, apparel, and just about anything that has the word "Golf" in it was on display. Probably the most popular attraction were the free golf lessons, which ran continuously.

The GCSANJ booth had its share of interest from folks who had a question or comment (ALMOST ALL OF WHICH WERE QUITE POSITIVE), or just wanted to say hello. My greatest impression from the golfers that I spoke with is simply this: GCSANJ is a force in golf in this state!

Fran Owsik, Shaun Barry, Pete Coste and Chris "the answer man" Gaynor assisted in manning our booth and I thank them for putting in a very long day. Special thanks must also go to: Ilona Gray, Bruce Cadenelli, Judy Policastro, Dave Mayer and Mel Waldren, for helping me bring it all together.

MARTIN MANTELL, CGCS

MECHANICS SHOP NEWS

The newly formed New Jersey Mechanics Association held its March meeting at the Echo Lake Country Club. The guest speaker was Gary Staats from the Cushman Ryan Corporation. Gary was very informative and answered any and all questions and, believe me, there were lots of good questions! Gary even held an informal session afterwards to address in even more detail a few specific questions. If this is a prelude of future meetings, then both the mechanics and the superintendents will benefit greatly. Our thanks to Gary for a great program!

(Please turn to page 5)

JOSEPH M. MERCADANTE, Inc.
PAVING, EXCAVATING
SOUTH ORANGE, N.J.
762-1195

PARKING LOT AND
CART PATH
CONSTRUCTION
DRAINAGE SYSTEMS
TEE BUILDING
GRADING

609-667-0939

**Edward
Schulsinger**
13 Ivy Lane
Cherry Hill, NJ 08002

**Horticultural Consultant
To The Golf Industry**



(Continued from page 4)

SENIOR OPEN VOLUNTEERS NEEDED

Anyone interested in helping out with roping and staking for the U.S.G.A. Senior open at Ridgewood Country Club on June 23 or 24 should contact Bruce Peebles at (201) 449-3455.

THANKS TO COMMERCIAL MEMBERS

GCSANJ wishes to issue a sincere thank you to all the commercial members who responded so generously in support of the successful Orlando Hospitality suite. It was successful because it once again gave the superintendents, their spouses and the commercial people a place to socialize and to get to know one another on an informal basis.

Without the continued support of our commercial members, we would not be the viable association that we are. Thank you all again for your support.

US SENIOR OPEN TICKETS AVAILABLE

The USGA and Ridgewood Country Club will offer complimentary tickets to GCSANJ members and their spouses for this year's Senior Open. The Championship will be held June 25 thru July 1. Tickets can be picked up at the Will-Call booth on the day of attendance. Members must present a valid GCSANJ membership card and additional proper identification. Spouses must also present identification.

Identification can include a valid drivers license, voter registration card and a major credit card. Questions should be addressed to the 1990 Senior Open office at 210-599-1111. All GCSAA members are afforded similar privileges.



RALPH McGILLAN
Excavating Contractor

Specializing in Lakes & Ponds

Over 25 years experience in building new ponds, enlarging & redesigning existing ponds

(609) 655-2281
17 Stockton Drive, Cranbury, NJ

Case Of The Disappearing Fungicide.



With Pace[®], disposing of contaminated containers is no problem. There aren't any.

STEPHEN REZAC
CIBA - GEIGY
(201) 530 - 4252

For use on lawns, shrubs and ornamentals only



Long lasting, will not burn

"The Golf Course Choice"

NATURAL ORGANIC FERTILIZER

Milorganite[®]

6-2-0
Activated Sewage Sludge

METRO MILORGANITE
365 Adams St.
Bedford Hills, NY 10507

Processed Only By
Milwaukee Metropolitan Sewerage District
Milwaukee, Wisconsin

Fire, floods, and spills

(Continued from page 1)

present in the workplace. The completed surveys must be sent to the state Department of Environmental Protection, county health agencies and local fire and police departments.

Certain facilities designated by the department of Environmental Protection must provide detailed information about releases and disposal practices.

Information about the hazardous substances covered under the law is included in Hazardous Substances Fact Sheets developed by the state Department of Health. The fact sheets are available to employers, workers and the public.

The public also has access to all surveys filed with county agencies and the state Department of Environmental Protection.

Non-compliance may result in civil penalties of not more than \$2,500 per violation. Additional penalties of not more than \$1,000 may be assessed for each day the violation continues.

Under a related law, the Toxic Catastrophe Prevention Act, companies that handle certain extremely hazardous substances are required to register with the state, establish a risk management and reduction program and develop an emergency response plan.

This law also imposes various reporting requirements, fees and penalties.

COMMUNITY RIGHT-TO-KNOW CONTACTS

For emergency release notification, call (609) 292-7172.

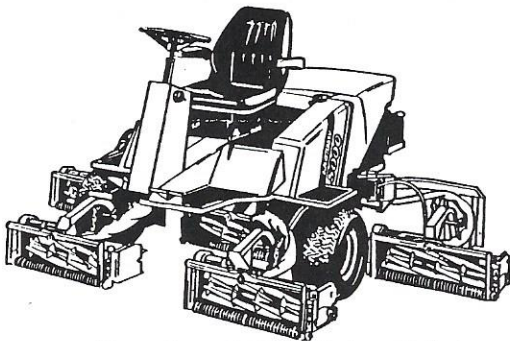
For general information, emergency planning notification and document submissions, call the Department of Environmental Protection at (609) 292-6714.

Submit follow-up emergency release notification to Department of Environmental Protection, Division of Environmental Quality, Bureau of Communication and Support Services, CN 411, Trenton, NJ 08625.

Submit Material Safety Data Sheets (MSDSs) and chemical inventories to New Jersey Department of Environmental Protection, Division of Environmental Quality, Bureau of Hazardous Substance Information, SARA Title III Project, CN 405, Trenton, NJ 08625.

Submit annual toxic chemical release forms to Department of Environmental Protection, Division of Environmental Quality, RTK Survey, CN 405, Trenton, NJ 08625-0405.

NEW FAIRWAY 5000 SPECIALIZED FOR TOP-QUALITY FAIRWAY MOWING



- Five cutting units, hydraulically controlled
- Wide 106" cutting width
- Excellent hill-climber
- Ultimate in operator comfort
- Three-wheel drive PLUS
- Very productive—produces top quality cut (80 cuts/meter) even at 6mph top speed
- Lightweight and compact for easy transport
- Fully interchangeable cutting units

RANSOMES
FAIRWAY

CONTACT Turfgrass Division
at

Steven Willand, Inc. (201) 579-5656



WHITE MARSH, MD.

1-800-899-SOIL (7645)

FAX (301) 335-0164

Sterilized Top Dressing

Our top dressing is formulated especially for your area to specifications recommended by leading universities and testing laboratories.

EXCLUSIVE! All materials are thoroughly mixed and sterilized by indirect heat in our special process. The sand particles are actually coated with a mixture of top soil and peat humus for a completely homogenous mixture that will not separate during handling and spreading.

Computerized blending of soil mixtures for a superior growing medium.

Green and tee construction materials and mixes conforming to specifications are available.

Custom on-site soil blending and testing with a portable computerized blender to meet your specifications are available.



PAUL L. DESCHAMPS

It is with deep sorrow that "The Greenerside" notes the passing of Paul L. DesChamps, owner and president of Storr Tractor Company.

Having nurtured the growth of Storr Tractor Company over the past 25 years from a small tractor dealership into one of the largest turf equipment and irrigation distributorships in the nation, DesChamps was known among area golf course superintendents as an industry leader, innova-

tor, supporter and friend.

DesChamps served as president of the New Jersey Turfgrass Association in 1981 and was elected to its Hall of Fame in 1984. He received the Toro Company's highest award of excellence, "Mr. Toro," also in 1984, and was recently presented with the first Otterbine Hall of Fame award by Barebo, Inc.

As integral as the game of golf was to his business, so was it a personal passion. DesChamps was recently, and most devotedly, a member of the National Amputee Golf Association and a long-time member of the Copper Hill Country Club.

Through his leadership, Storr Tractor Company has been an ardent supporter of the GCSANJ and "The Greenerside." We will miss him dearly.

Get ready, get set...

On June 6, 1986, Fredrick Thompson, president of Ridgewood Country Club, sent a letter to the United States Golf Association offering the use of the club for the 1990 Senior Open. This was to be a particularly important year for Ridgewood as it marks the club's 100th Anniversary. Thompson and the Board of Directors thought the Senior Open would be a fitting event to include in the year's festivities.

In January 1987, the USGA accepted Ridgewood's offer. The club began to assemble a staff which was headed by General Chairman John Fennie. Fennie had been very much involved with the 1976 USGA Amateur Championship also held at R.C.C. From that point on, it has been go...go...go.

My initial involvement with the tournament began when Bill Adams, our Golf Professional, and I were asked to contact constituents in the golf community to solicit their support. We have both made many friends in this great game and knew most, if not all, would be willing to assist in Ridgewood's attempt to convince the USGA to award this great Championship to our club. We found out later that all the contacts were helpful and that the USGA was delighted to be returning to the New York Metropolitan area and Ridgewood under these circumstances.

From this point on, I began to contact my peers who have hosted this championship and other major USGA events. I was fortunate to visit Medinah during the 1988 Senior Open and see first hand what course preparations are all about. At that time Peter Wilson was the superintendent. He was most helpful in giving me the necessary perspective as to the challenge and commitment necessary to be the host superintendent. I am also most fortunate to be able to call USGA

(Please turn to page 8)

Letter to the editor

Dear Editor:

In a very recent observation, I've noticed that our state Association has condoned a form of discrimination among our member superintendents. Job openings for golf course superintendents were advertised through the GCSANJ this past winter — the posted requirements stated the necessity of being a golf course superintendent/assistant golf course superintendent at a private country club.

Since when are we dividing our association into two parts: Private versus Public! Is the GCSANJ now saying that even Certified "public" Golf Course Superintendents need not apply? Does the Association representing our membership believe that an assistant golf course superintendent at a "private" club is more qualified than a long-standing "public" golf course superintendent?

I feel strongly against discrimination in any form and condemn the collaboration of our Association and private club search committees.

The Association should only post requirements based on education and experience. No doubt the search committees will hire upon club name recognition versus ability anyway.

It is our Association's responsibility to promote all of us equally and to advise or inform these committees that we will not partake of this action. I would hope that, in the future, the GCSANJ will refrain from wording any division in job postings.

**JO-ANN WARD
GOLF COURSE SUPERINTENDENT
SUNSET VALLEY GOLF COURSE**

Don't get the BTA'S

Louis M. Vasvary
Extension Specialist in Entomology
NJAES / Cook College, Rutgers

No, BTA is not a new strain of human virus, but it can produce mental and/or physical stress to golf course superintendents, especially those who do not take time to inspect the root zone areas of turfgrass on their greens, tees and fairways from May through early June. BTA is the acronym for the Black Turfgrass Ataenius, *Ataenius spretulus* (Haldeman), an insect pest of annual bluegrass, bentgrasses and Kentucky bluegrass. In New Jersey, the most severe problems have occurred on golf courses containing a mixture of annual bluegrass and bentgrasses. During the past two years, there has been enough of an increase in BTA populations to alert superintendents for the 1990 season.

Overwintering adult beetles begin their return to greens, tees and fairways in April. If warm weather conditions prevail during March, adults can be observed in late afternoon and early evening during early April. If weather conditions are "normal," mid-April has been the usual time for the start of their return.

During April a superintendent should make regular inspections of clippings from greens and tees. Look for tiny black beetles about 3/16 of an inch long. They are not difficult to spot. One successful control strategy is directed against adult BTA beetles when they return to deposit their eggs. Once adult beetles are observed on a regular basis, usually during late April to early May, for central and northern counties, a little earlier for southern counties, a suitable insecticide is applied. For best results, the grass should be mowed and clippings removed before the insecticide application. This should not be a problem on greens and tees. On fairways, the insecticide is applied as soon as

Get ready, get set...

(Continued from page 7)

Championship Agronomist, Tim Moraghan, a friend. He has been my most important ally throughout this endeavor. We have spent many, many hours together discussing course preparations and procedures. Tim has himself been the course superintendent at a PGA event in Dallas, Texas, and certainly knows the "what's" and "wherefore's" of running a championship.

In 1989, I was most fortunate to attend both the Masters and the Senior Open. With the experience of these events and the help of Paul Latshaw, Augusta National; Mark Kuhns, Laurel Valley; and Bill Spence, The Country Club, I certainly feel ready to assume the responsibility the Senior Open will demand.

ED WALSH, CGCS

possible after mowing. Dursban provides satisfactory control at the following rates: Dursban 2E at 3 fluid ounces/1,000 square feet, Dursban 4 lb./gal. at 1-1/2 fluid ounces/1,000 square feet, Dursban 50W at 1-1/2 ounces/1,000 square feet, Dursban 50W 16 4 ounce packets per acre.

Unfortunately, a common error is not to inspect clippings during April or look for grubs and/or wilting during May and early June. If BTA grubs are present, in moderate to large numbers (30 or more per square foot), wilting is bound to occur. Up to this point in time, the grubs are small and their feeding injury does not cause undue stress. Growing conditions for turfgrass are usually quite favorable during April and May and this growth can keep ahead of grub induced root injury.

However, by late May and certainly by early June, BTA grubs are in their third stage of development. They are larger and require much more food. At this point, the grass cannot keep ahead of the feeding injury and the first response is usually wilting. In addition, the long days and hot weather during June places an additional stress on turfgrass. Wilting should always prompt a close inspection of turfgrass, not only of the leaves and stems, but also the roots.

During late May or early June an insecticide application directed against BTA grubs can prevent serious injury to turfgrass. If insecticide applications are delayed for some reason, usually dead areas begin to show and increase in size through the remainder of June and into July. This is an approximate time frame. Conditions vary from year to year depending upon temperature, moisture and other environmental conditions. Some suitable insecticides for BTA grub control include bendiocarb (Turcam 76% SP at 2 ounces/1,000 sq. ft.), trichlorfon (Dylox 80% WP at 3-3/4 ounces/1,000 sq. ft.), Mocap 5% G. at 2.25 pounds/1,000 sq. ft. and Dursban 50W at 1-1/2 to 3 ounces/1,000 sq. ft.

Follow all directions and precautions on insecticide labels

COUNTRY CLUB greenskeeper Turf Products

Better Quality Turf Care From The Ground Up.

Lebanon
TOTAL TURF CARE

P.O. BOX 189 • DAYTON, NJ 08810
P.O. BOX 180 • LEBANON, PA 17042

HOMOGENOUS BLENDED & SCU FERTILIZERS
STRAIGHT & COMBINATION CHEMICAL PRODUCTS



NEW JERSEY SUPERINTENDENT RECEIVES GCSAA CERTIFICATION

Christopher Gaynor, superintendent of Colonia Country Club, has been designated a Certified Golf Course superintendent by the Golf Course Superintendents Association of America.

Gaynor has been superintendent of the Colonia, New Jersey course since 1988. He lives at 10 Cheryl Court in Monmouth Junction.

To become certified, a candidate must have five years of experience as a golf course superintendent and be employed in that capacity. The candidate must pass a rigorous six-hour examination covering the rules of golf, turfgrass management, pest management, financial and organizational management and the history, ethics, purpose and procedures of GCSAA. Also, an on-site inspection of Gaynor's golf course operation was conducted by two currently certified superintendents: Robert Dickison, CGCS, of Clifton, New Jersey and Wayne Ballinger, CGCS, of Flemington, New Jersey.

GCSAA ELECTS 1990-91 BOARD OF DIRECTORS

Gerald L. Faubel, CGCS, Saginaw Country Club, in Saginaw, Michigan, was elected president of the Golf Course Superintendents Association of America during the association's annual meeting in Orlando in February. Faubel succeeds Dennis D. Lyon, CGCS, Aurora, Colorado, who as immediate past president will continue to serve for a year as director.

Stephen G. Cadenelli, CGCS, Metedeconk National Golf Club, Jackson, New Jersey, was elected vice president. Re-elected as a director and appointed secretary/treasurer was William R. Roberts, CGCS, Lochmoor Club, Grosse Pointe Woods, Michigan.

Also re-elected as directors were Joseph G. Baidy, CGCS, Acacia Country Club, Lyndhurst, Ohio, and Randall P. Zidik, CGCS, Rolling Hills Country Club, McMurray, Pennsylvania.

Charles T. Passios, CGCS, Hyannisport Club, Hyannisport, Massachusetts, was appointed to the board to fill Cadenelli's vacated director's position.

Gary T. Grigg, CGCS, Shadow Glen Golf Course, Overland Park, Kansas and Randy Nichols, CGCS, Cherokee Town & Country Club, Dunwoody, Georgia, continue serving terms as directors.

GOLF COURSE SHOW RECORDS SHATTERED

More than 17,400 members of the golf community attended the 1990 International Golf Course Conference and Trade Show hosted by the Golf Course Superintendents Association of America. Held February 19-26 at the Orange County Convention/Civic



1990-91 GCSAA Board of Directors. sitting (l-r): Stephen G. Cadenelli, CGCS, vice president; Gerald L. Faubel, CGCS, president; William R. Roberts, CGCS, secretary/treasurer.

Standing (l-r): Gary T. Grigg, CGCS; Randall P. Zidik, CGCS; Charles T. Passios, CGCS; Dennis D. Lyon, CGCS, immediate past president; Joseph G. Baidy, CGCS; Randy Nichols, CGCS.

Center in Orlando, the conference and show broke all existing association records.

The 17,400-plus attendance figure represented a 20% increase over the previous record of 14,534 set last year in Anaheim.

A record 552 exhibitors showcased their products and services during the three-day trade show — almost 100 more than exhibited at the 1989 Anaheim show. The exhibition covered nearly 170,000 square feet, up from 143,000 in 1989.



S.S. VOORHEES & SONS, INC.

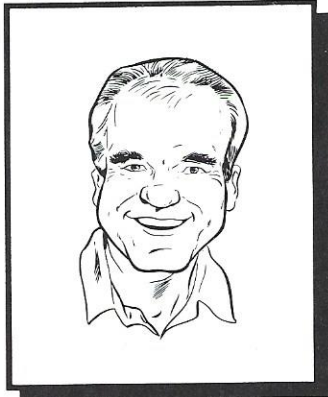
1775 Burnet Avenue

Union, N.J. 07083

(201) 688-9300

Full line Spring Bedding Plants,
Geraniums, Flats and
Hanging Baskets

Call Ruth or Doris for details



Jim Gilligan's Column

"ON GOLDEN POND"

"The Greenerside" deadline is approaching and my mind is pre-occupied with sand trap construction, cart path paving and Poa annua management. This leaves little room for creative think-

ing. So I thought I would share brief thoughts that did surface.

"20/20", an ABC Television production, broadcast a segment concerning the Senior PGA Tour highlighting Lee Trevino's early victories and the anticipated debut of Jack Nicklaus. Trevino welcomed the opportunity to be back on top, while Nicklaus is reluctant to give up his quest for victory on the regular PGA Tour. In watching them play, they were relaxed and comfortable, joking among themselves and with the spectators. My interest was heightened because if I were a PGA touring professional, I would be eligible for the Senior Tour. It would be comforting to think that after a successful career I could settle into a relatively relaxed position as a senior superintendent.

(Please turn to page 13)

AQUA-FL[®]

INC.

Buckner[®]

DISTRIBUTORS

- Golf Courses
- Estates
- Athletic Fields
- Commercial
- Floating Aerators
- Custom Built Pumping Systems

25 years of quality service

AQUA-FLO, INC.

320 Basin Road • Hammonton, NJ 08037 (609) 561-1777
 1-800-524-0895 (outside NJ)
 4155A Westfax Drive • Chantilly, VA 22021 (703) 968-7081

GOLF & COUNTRY CLUB SIGNAGE

- COMPLETE DESIGN & CONSULTATION SERVICES •
- EXTERIOR SIGN SYSTEMS • ON & OFF COURSE •
 - MAIN ENTRANCE SIGNAGE •
 - INTERIOR SIGN SYSTEMS •
 - CHAMPIONSHIP DISPLAYS •
 - ETCHED GLASS PRODUCTS •
- MANUFACTURING & INSTALLATION •

DISPLAY PRODUCTS CORPORATION 910 Fourth Avenue
 Asbury Park, NJ 07712
 (201) 988-5400

PARTAC[®]

GOLF COURSE TOP-DRESSING

AMERICA'S PREMIUM TOP-DRESSING
 HEAT TREATED
 AVAILABLE IN BULK OR BAGS
 ALSO HIGH-SAND MIXES, CONSTRUCTION MIXES,
 CART PATH MIXES AND DIVOT REPAIR MIXES

DISTRIBUTED IN N.J. BY:

FARM & GOLF COURSE SUPPLY FISHER & SON CO.
 HOWARD SCOTT, 215-483-5000 FRANK FISHER, 215-644-3300

GRASS ROOTS TURF PRODUCTS TURF PRODUCTS CORP.
 KEN KUBIK, 201-361-5943 ERNIE RIZZIO, 201-263-1234

PARTAC PEAT CORPORATION
 KELSEY PARK, GREAT MEADOWS, NEW JERSEY 07838
201-637-4191

Current perspective on turfgrass diseases

"TURFGRASS PATHOLOGY"

INTERVIEW WITH DR. BRUCE CLARKE RUTGERS UNIVERSITY PLANT PATHOLOGY

In early February, Superintendent Bruce Cadenelli had the pleasure of sitting with Dr. Bruce Clarke to discuss numerous aspects of the turfgrass pathology program at Rutgers. They also had a lengthy talk about major disease problems and disease management strategies. What follows are some of the comments from their afternoon discussion.

Interviewer: I would like to start by discussing your recent job change at Rutgers.

Dr. Clarke: Since mid-March, my time has been devoted completely to turfgrass pathology. That means 70% of my work is now in turf extension and 30% in turf research. This is a dramatic change from the past eight years where I was responsible for nursery, landscape and floriculture problems as well as turfgrass concerns. The University's decision to hire a new ornamental pathologist (Dr. Ann Gould) made this change possible. I feel that this is a positive move by the University and hopefully will benefit the turfgrass industry in the years to come.

Another plus for the turf program is the addition of Dr. Joseph Heckman to the Cook College faculty. Dr. Heckman is the new extension specialist in soil fertility. He has indicated a strong desire to work with us on turfgrass problems and has applied for grants from the school to begin some of these studies.

Interviewer: Please give an overview of your turf pathology program as we enter this new decade.

Dr. Clarke: With respect to turfgrass pathology, we now have a full complement of individuals on board. Karen Plumley is a graduate student who has been with us for the past year. She is supported by a grant from the Peter Loft Memorial Fund and is conducting some exciting research with summer patch on Kentucky bluegrass. Dr. David Thompson, a post-doctoral researcher from the University of Idaho, just came on board in December 1989. He replaces Dr. Peter Landschoot (now at Penn State) and his position is funded by the superintendents new Tri-State Turf Research Foundation. Melodee Kemp, who is actually a graduate student working under the direction of Dr. C. R. Funk, is also doing a great deal of work with us on summer patch and fine fescues. So I'm very pleased with the new additions to our turf pathology program. It's great to see such emphasis on disease control studies at Rutgers.

Interviewer: Many superintendents in the tri-state area seem to be having a greater problem controlling brown patch today than in the past. What is

the reason for this development?

Dr. Clarke: The past few years have been quite conducive for brown patch development in the Northeast. This has undoubtedly been due to the unusually hot, and, except for 1988, wet summer weather. Because of this, we have experienced some serious brown patch outbreaks. In 1989, several superintendents reported severe outbreaks of this disease well into mid-September. Such late season disease outbreaks were particularly troublesome in the northern portion of New Jersey. So we're seeing it earlier in the year, it seems to be lasting longer, and the outbreaks are often more severe than in the past. Whether this trend will continue is hard to predict.

With regard to chemical control, many of the chemicals that provided acceptable control of brown patch in the past now are simply not effective. A good example of this is with the sterol inhibiting fungicides such as Bayleton and Rubigan. Five or six years ago these fungicides provided fair to good control. Today, we don't recommend them for the control of this disease. So it would seem that brown patch is definitely becoming harder to control.

Interviewer: I've not used Bayleton for brown patch control. Our best success has been with Chipco, Daconil, and (for the past three years) the experimental fungicide Prostar. What do you recommend?

Dr. Clarke: Chipco 26019 and Daconil 2787 are still the best materials for brown patch control in my opinion. Our work with (flutolanil = Prostar), however, has been mixed. At Rutgers, flutolanil has been most effective when used every 14 days at a rate of 4 oz./1000 ft². If you go to a 28-day interval and disease pressure is high, it doesn't provide adequate control. When Prostar is marketed, I feel that it will be one of the better brown patch material available as long as it is used on a 14-day schedule.

Interviewer: So, what you're really saying is that the applicator has to know a product's limitations to achieve optimum brown patch control.

Dr. Clarke: Yes, Prostar is not unique in this respect. Many other fungicides have limitations with regard to controlling brown patch. Banner, for instance, must be used on a preventative basis to obtain good control of this disease. Once symptoms develop, Banner has to be tank mixed with a contact fungicide, such as Daconil, to provide adequate control. Once again, it's essential to know a product's limitations.

Interviewer: What factors should a superintendent be most concerned with when developing a fungicide management program?

Dr. Clarke: I'd say the most important factors

(Please turn to page 12)

Current perspective on turfgrass diseases

(Continued from page 11)

are proper disease identification, product selection, and application. Obviously, correct identification is paramount to any good disease control program. We've all heard horror stories about inadequate control due to improper disease diagnosis. Just as important, however, is the proper selection and application of a turf fungicide.

Contact fungicides, for instance, should not be used to control diseases such as Summer Patch, Necrotic Ring Spot, or Stripe Smut; they just don't work. By the same token, systemic fungicides (particularly the new sterol inhibiting or DMI fungicides) should not be selected for the control of Helminthosporium Leaf Spot and melting-out diseases. In many cases, systemic fungicides actually intensify leaf spot by killing beneficial microorganisms that compete with Helminthosporium species in the thatch.

Finally, application procedures must be addressed to ensure optimum control. Timing and spray (water) gallonage is not only important for the control of Patch or Root Diseases, but is also important for the management of other important diseases such as Brown Patch and Pythium Blight. I've seen dramatic improvements in the control of both diseases by simply increasing water gallonage from 1 to 2 1/2 gallons/1,000 ft². Recent research by Houston Couch (Professor of Plant Pathology, Virginia Tech) supports the concept of using 2 or more gallons of water/1,000 ft² to improve coverage and, thus, disease control.

Interviewer: What new diseases should the superintendent be on the look out for in the near future?

Dr. Clarke: We are seeing more of diseases like Yellow Tuft and Red Thread than we used to in the past. Yellow Tuft is actually a downy mildew disease that was first identified on turf by Dr. Noel Jackson (University of Rhode Island) about ten years ago. It's primarily a problem on Kentucky and annual bluegrass (*Poa annua*) and can be easily controlled with a fungicide such as Subdue. Although not a devastating problem, some superintendents have experienced Yellow Tuft in low areas of greens and tees.

Another increasingly reported disease is Red Thread. While most superintendents aren't very concerned about Red Thread now, infections are becoming much more common and destructive. We are also seeing it on new turf hosts. Tall fescue is a good example. Several years ago you never saw it on tall fescue and now it's fairly common on this grass.

In our research plots at Adelphia, tall fescue, perennial ryegrass, and fine fescues have been hard hit by this disease over the past few years. On recent field trips to Europe, I've seen Red Thread on bentgrass greens and tees. Therefore, it seems probable that we

will see this disease on bentgrass in the U.S. in the future. Luckily, it's controlled by the same fertility/fungicide practices that are used to control Dollar Spot, so I don't see it becoming a major problem.

Interviewer: Do you feel that current management practices employed on golf courses today encourage turfgrass diseases?

Dr. Clarke: I'd say, in some cases, that's true. Low fertility and low height of cut are two major contributors to turfgrass stress and, therefore, stress related diseases such as Anthracnose, Dollar Spot, Summer Patch and Red Thread. With many superintendents reducing nitrogen applications and cutting greens at 1/8" to increase ball speed, these diseases are bound to proliferate during periods of environmental stress (ie - high temperatures, moisture extremes and heavy traffic). While increasing the height of cut to 5/32" or 6/32" and applying more nitrogen isn't the only means of reducing these diseases, such practices will help to alleviate stress and should make disease management easier.

TANK MANAGEMENT ASSOCIATES

ENVIRONMENTAL
SERVICES

Hamilton Business Park
1501 Oakwood Blvd.
Mays Landing, NJ 08330

Main: 609-625-3662
Fax: 609-625-1631

- Tank Testing • Site Assessments
- BUST/ECRA Tank Removals
- Tank Management Programs
- Groundwater Investigations
- Soil & Groundwater Remediation

Poa Free

Pennsylvania Grown PENNCROSS

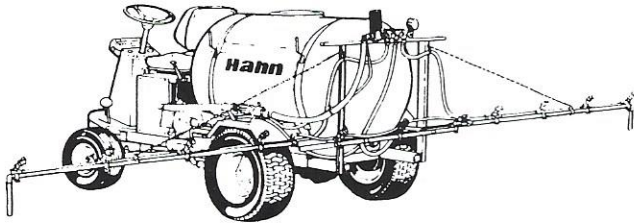
BENTGRASS SOD

Call 800-USA-TURF in PA 800-732-3504 or 717-898-5000



**THE HAHN MULTI-PRO 418
AND MAXI-PRO 435**

- 1. Super Low Compaction
- 2. Application accuracy to 1%
- 3. Rugged and Reliable



The First...The Best!

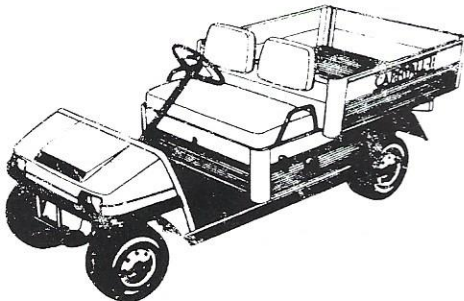
Hahn

STORR TRACTOR CO.

3191 U.S. Highway 22
Somerville, N.J. 08876
201-722-9830

Club Car

NEW, REBUILT, GAS & ELECTRIC
UTILITY VEHICLES IN STOCK



VIC GERARD GOLF CARS, INC.

HWY. 547
FARMINGDALE, NJ 07727
(201) 938-4464

AUTHORIZED CLUB CAR DISTRIBUTOR

Jim Gilligan

(Continued from page 10)

The Senior Tour began in 1980, spearheaded by Bob Goalby and championed by Sam Snead and Julius Boros. In 1985 it became the Senior Division of the PGA Tour. Because of their age, 50 or older, the contestants are offered concessions. They include the use of golf carts, shorter courses, slower greens, and manageable roughs. As a senior superintendent, what concessions am I offered? Maybe the GCSAA could establish a senior classification for superintendents that have reached their 50th birthday. What would be some concessions? Maybe a certified senior superintendent wouldn't need as many CEU's to be reclassified. Or limiting the size of the GCSAA Conference trade show so senior superintendents could walk the show in one day without mechanical means? The local chapter monthly meetings could end earlier so senior superintendents could be in bed at a decent hour. There could be other concessions; but like Nicklaus, I want to be active and competitive.



As I stated in last month's issue, I'm working on Staten Island and wondering if I'm still eligible for Class A membership in the GCSANJ. I hope there is no conflict, but, just to be safe, I'm considering an offer to

(Please turn to page 14)

SAVE PAR

with **GREEN T Liquid Fertilizer!**



New
**FOR GOLF COURSES
& TURF GRASS**

To order Green T Liquid Fertilizer or for more information contact either Scott Sterling or Ted Platz.



PLANT FOOD COMPANY, INC.

Manufacturers of Fluid Fertilizers
Hightstown-Cranbury Station Road, Box 173
Cranbury, NJ 08512
609-448-0935 • 1-800-562-1291

Jim Gilligan

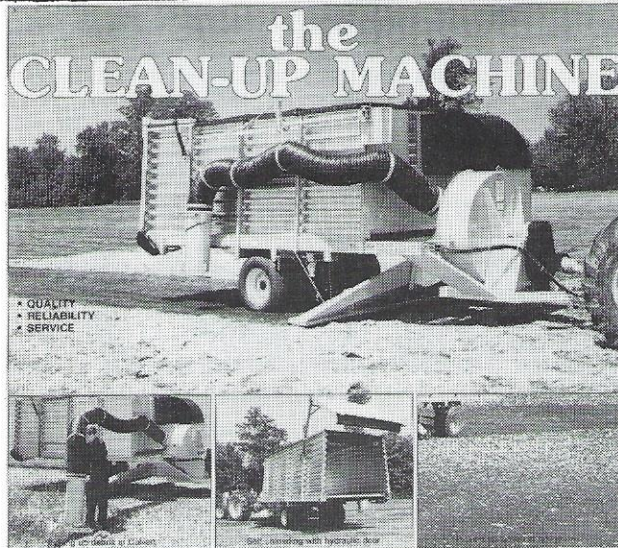
(Continued from page 13)

Join the LIGCSA. If that fails, we could form a local chapter on Staten Island with the four superintendents from LaTourette, Silver Lake, South Shore and Richmond County. We have a natural leader in Marty Mantell. I could edit the newsletter and win a GCSAA award for the best newsletter representing the smallest chapter. Don Heyniger could be our voting delegate and become a powerful person at the GCSAA Conference. Greg McElghatan could host all our chapter meetings.

We could even host the GCSAA Conference. The trade show would fit on the lower deck of the Verazano Bridge; the bridge holds 19,000 runners during the New York Marathon. Hotel space is tight on Staten Island; the Ferry would shuttle everyone from Manhattan. The education sessions would be held at Sailors Snug Harbor and the golf tournament would be played at the other New York City golf courses. This idea seems more feasible with each sentence: only it sounds like a Willet Wilt idea. Willet, if you read this: call me.



Paul DesChamps died in this period. I mourned his death. All of us in this turf business will feel his loss. Paul always made his point and I'll remember his wisdom. I learned from him and I'm grateful.

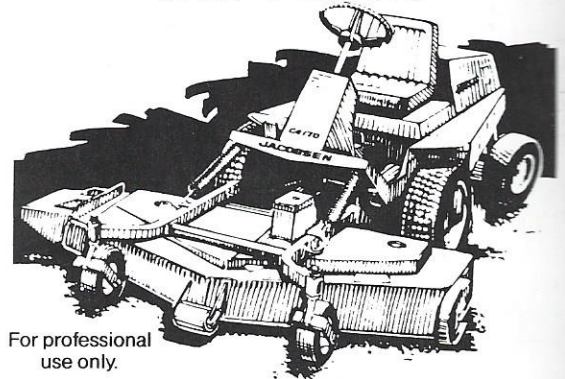


THE BROUWER-VAC . . . largest capacity Vac on today's market. The powerful suction head and blower provide the latest technique for vacuuming turf and hard surface areas. It provides an economical method of picking up grass clippings, leaves, twigs, pine needles and thatch from verti-cutting on sod farms, golf courses, parks and recreation areas and also trash and litter from hard surfaces in airports, parking lots, stadiums and highway shoulders.

FEATURES:
 Large load capacity
 Light weight construction
 Dual flotation tires
 Easy to operate finger tip controls
 Unloads in seconds with hydraulic driven conveyor
 80 in. floating suction head (Opt. extension to 120 in.)
 P.T.O. Driven
 Only requires standard tractor 35-45 hp

Double Eagle
 EQUIPMENT COMPANY, INC.
 285 Dayton Road
 Dayton, New Jersey 08810 • (201) 329-9292

JACOBSEN. TOUGHEST CATS ON TURF.



For professional use only.

Jacobsen Turfcats Out-Front Mowers, Models T422D, T436G

- Choice Of 22-HP Diesel Or 36-HP Gas Engine
- Dual-Range Hydrostatic Drive Matches Traction Speed to Mowing Conditions
- Rear-Wheel Power Steering
- Choice Of 50", 60", 72" Rotary Decks Or 60" Fine-Cut Flail
- Large 8.5-Gallon Fuel Tank

Wilfred MacDonald, Inc.

340 MAIN AVENUE, CLIFTON, N.J. 07014 • 201-471-0244

RUBIGAN IS THE ONLY FUNGICIDE GUARANTEED FOR THE PREVENTION OF:



- Summer Patch
- Necrotic Ring Spot
- Fusarium Blight



See your local Elanco Distributor for details or call

BOB SCOTT (201) 376-7290

Elanco Area Representative

Snow named Green Section National Director

Jim Snow was still in the process of moving into his new office at United States Golf Association Headquarters in Far Hills as we talked about his responsibilities as national director of the Green Section. Appointed to his new position in February of this year, he had just returned from a trip to the western U.S., which included some time spent in Pebble Beach speaking at the American Society of Golf Course Architects meeting. The Monterey area being a particular favorite of mine, I must admit to a bit of envy.

An Ithaca, New York native, Jim was raised on the family farm, which was primarily a producer of fruit crops. He attended a local school of some note, Cornell University, and earned a B.S. and M.S. in Ornamental Horticulture in 1974 and 1976 respectively. Jim came to the Green Section's Northeastern Region in 1976 as an agronomist, and since, has progressed to being named the director of the Northeastern Region, and finally to his recent appointment as national director.

In our discussion of the Green Section's Turf Advisory Service, Jim acknowledged that some clubs have had reservations about using the service, thinking that there is a bias toward the superintendent. Conversely, some superintendents are uncomfortable

with what they perceive as an outsider coming in and pointing out faults in the turf management program. "In fact," Jim said, "the Advisory Service offers a completely unbiased source of information about what does and does not work." Each of the 14 agronomists visits about 150 golf courses per year, enabling him to share other courses' problems and experiences. "The Green Section will not visit a course if the superintendent is not available," Jim told me. He noted that the visit can result in helping the superintendent obtain funding for a key piece of maintenance equipment or a special project that he has been lobbying for, the weight of the USGA agronomist's unbiased recommendations being what may be required to sway the club decision makers. The club can benefit by, for example, being made aware that a given turf problem is regional in scope and is frustrating everyone's best efforts to deal with it. This can be passed on to a critical membership and can reaffirm a club's confidence in its own superintendent. Although some clubs may balk at the fee for a half-day or full-day visit, Jim pointed out that the Green Section ran a deficit of over \$600,000 in 1989, and is looking at a figure of \$750,000 for 1990.

Another aspect of Jim's new responsibilities in-

(Please turn to page 18)

PAVELEC BROS. GOLF COURSE CONSTRUCTION Co. Inc.

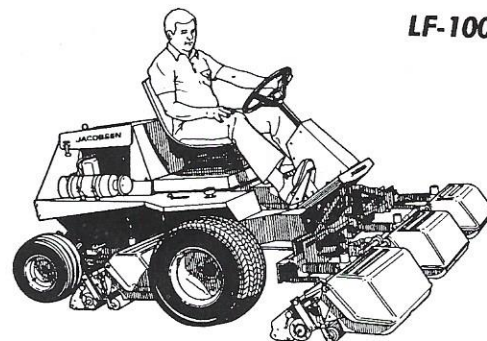
98 Evergreen Avenue
Nutley, NJ 07110

*Specializing in all
phases of Golf Course
Construction*

Field Drainage/Landscaping
Excavation

Tony Pavelec (201) 667-1643
Emil Pavelec (201) 939-6182

JACOBSEN®



**UP FRONT IN
LIGHTWEIGHT FAIRWAY MOWING.**

JEP

Sales Inc.
211 Yardville-Hamilton Square Rd.
P. O. Box 11126
Yardville, New Jersey 08620
609-585-2300
FAX# 609-585-8977

To Keep Your Course In Classic Condition, Use These High-Quality Products from NOR-AM

- **NITROFORM® SLOW-RELEASE NITROGEN**
Releases by slow bacterial action to provide consistent 38% nitrogen
- **TURCAM® W.P. INSECTICIDE**
Controls a wide range of turf and ornamental pests, especially white grubs
- **TURCAM® 2½G**
All the benefits of regular TURCAM® in convenient granular formulation
- **BANOL® TURF AND ORNAMENTAL FUNGICIDE**
Controls pythium and phytophthora
- **PROGRASS® HERBICIDE**
For the establishment of perennial ryegrass turf, or on established perennial ryegrass turf, Kentucky bluegrass or creeping bentgrass for control of *Poa annua* and broadleaf weeds
- **PROXOL® 80SP INSECTICIDE**
Controls white grubs, sod webworms, cutworms and armyworms in fine turf



NOR-AM

NOR-AM CHEMICAL COMPANY
3509 Silverside Road, P.O. Box 7495
Wilmington, DE 19803

THE FAIRWAY CLASSICS to keep your course in top condition

IMPORTANT: Please remember always to read and follow carefully all label directions when applying any chemical. Copyright © 1988 NOR-AM Chemical Company. All rights reserved.

Snow named Green Section National Director

(Continued from page 15)

cludes chairmanship of the USGA Turfgrass Research Committee which, in cooperation with GCSAA, is sponsoring a field research project the purpose of which is to quantify and document the impact of turfgrass management on the environment. The project's objectives include developing a comprehensive manual that superintendents can use to ensure environmental quality, as well as document the human, biological and environmental factors that golf courses influence. Jim said that it is intended to scientifically document the positive effects of turf in relation to noise and heat reduction, oxygen production and the positive psychological effects landscaping has upon people. These studies will be conducted at 22 sites around the country.

When I asked Jim if things had changed much for him, he said that he will continue to edit the "Green Section Record," and he commented that he will continue to travel about one week per month, although the trips have become more cross country in nature. He allowed that his wife, Judy, has always been very supportive of his USGA responsibilities.

Once again, congratulations and good luck, Jim. By the way, the next time you're headed for Monterey...

PAUL POWONDRA

The big rip-off

Diseases that affect trees do not always come from fungus or bacteria. Yes, there is the lawnmower blight that affects the lower bark region; and its sister, the stringtrimmer blight. This article will not address these mechanical diseases.

Instead, I would like to discuss root rip, which is caused by mechanical trenchers. In 1989, the tool that I saw in the many maintenance barns was the trencher. Most superintendents are using this tool for root pruning of the fairways, and I understand this is becoming an accepted practice in the industry. There is also a trencher used in installing utilities (e.g. electric, waterlines) right up to the main trunk of the tree.

When you take that trencher near the main trunk of an established tree—you run the risk of severing as much as half the root system, thus, injuring the tree beyond recovery. There is a way to minimize the damage to the root system of a tree. The best procedure is to trench as far away from the dripline as possible and then come into the tree trunk area at right angles to the trunk. If you trench inside the dripline, you can run a high risk of severing enough of the root system to damage the plant beyond proper recovery.

EDWARD SCHULSINGER

Maintenance Shop Equipment

Lifts **Tanks**



Platform Lifts
for
Golf Cars, Turf and Utility Vehicles

Air Compressors **Wheel Service Equipment**

Stelton Services
606 South Avenue
DUNELLEN, NEW JERSEY 08812
(201) 968-1156

PATRON DIRECTORY

ALPINE TREE CARE, INC.

Complete tree care
Robert Mullane - David DiBenedetto
(914) 948-0101

AQUA-FLO, INC.

Irrigation System Designers and Suppliers
Phil Demarco - Jerry Purcell
(609) 561-1777 (800) 524-0895

AQUATROLS CORP. OF AMERICA

Manufacturers of Water Management Products
Andy Moore - Jerry Curtice - Drew Effron
(609) 665-1130

★ ATLANTIC MILLS INC.

Tee Towel, Shop Wipes and Sport Towels
Pete Donnelly - Jack Brady
(201) 774-4882

JAMES BARRETT ASSOCIATES, INC.

Golf Course Irrigation - Design and Consulting
Jim Barrett
(201) 744-8237

BLUE RIDGE PEAT FARMS, INC.

Top Dressing, Peat, Humus & Potting Soil
Gene Evans
(717) 443-9596

BRUEDAN CORPORATION

Yamaha Golf Cars - John Deere Turf Equipment
Richard Lewis
(800) 535-1500 (914) 469-2275

★ CIBA-GEIGY

Turf and Ornamental Products
Stephen Rezac
(201) 530-4252

CONSOLIDATED STEEL & ALUMINUM

FENCE CO., INC. Fencing Contractor
Eugene T. McLaughlin
(201) 272-6262

ALAN G. CRUSE INC.

Golf Course Materials
Alan G. Cruse
(201) 227-7183 (201) 992-2335

DISPRO DISPLAY PRODUCTS CORPORATION

Manufacturer of Golf and Country Club Signage
Ron Smith
(201) 988-5400

DOUBLE EAGLE EQUIPMENT

Turf Maintenance Equipment
Clyde Ashton - Jerry Pearlman - Stan Stevenson
(201) 329-9292

EGYPT FARMS, INC.

Top Dressing and Construction Mixes
John Strickland - Jeff Lacour - Mike Witt
(301) 335-3700

E-Z-GO/TEXTRON, INC.

Golf Cars - Turf Vehicles - Personnel Carriers
Tom Sauer - Kevin Norcross - Sam Baird, Jr.
(609) 586-4000

FERTL-SOIL TURF SUPPLY, INC.

Greens Topdressing/Turf Supplies
Marty Futyma
(201) 388-0100

FISHER & SON CO., INC.

Distributors of Pesticides, Fertilizer and Seed
Allan Phillips - Frank Fisher
(609) 478-6704 (215) 644-3300

GOLF BY JANIS INC.

Golf Course Construction, Renovation, Irrigation
Al Janis
(301) 641-5108

GOLF CARS, INC.

Golf Cars, Turf and Utility Vehicles
Albert Wunsch - Luke Martin - Jon F. Schneider
(215) 340-0880

GRASS ROOTS TURF PRODUCTS, INC.

Golf Course Supplies
Ken Kubik - Bert Jones
(201) 361-5943 (201) 686-8709

HARFORD INDUSTRIAL MINERALS

Sands, Top Dressing Materials
Dorothy Stancill
(301) 679-9191

JEP SALES, INC.

Turf Maintenance Equipment
Jack Poksay - Bill Beverlin - Michelle Poksay
(609) 585-2300

JONATHAN GREEN INC.

Grass Seed, Fertilizer, and Turf Chemicals
Barry K. Green II - Ed Barbano - Rip Rippel
(201) 938-7007

REES JONES, INC.

Golf Course Architects
Rees Jones - Keith Evans - Greg Muirhead
(201) 744-4031

STEVEN KAY

Golf Course Architect
Remodeling - Long Range Planning - New Courses
(914) 699-4437

KOONZ SPRINKLER SUPPLY COMPANY

Rainbird Irrigation Equipment
William Koonz
(201) 379-9313

★ LAWN & GOLF SUPPLY COMPANY

Specialists in Equipment and Supplies for Maintenance of Turf
Sam Baird Jr - Charlie Greeninger - Jim Carville
(201) 933-5801 (800) 362-5650

LESCO, INC.

Serving the GCSAA of NJ
Mike Oleykowski
(800) 825-3726

LEBANON CHEMICAL CORP.

Country Club Fertilizers & Chemicals
Steve Chirip
(201) 347-2755

LEON'S SOD FARM

Sod Grower
Samuel Leon
(201) 996-2255

LOFTS SEED INC.

Turf Seed and Fertilizer Supplier
Dr. Rich Hurley
(201) 560-1590

LONGO MOTOR & PUMP, INC.

Electric motor/pump repair/sales
Larry Bishop - Cathy Hughes
(201) 539-4141

WILFRED MCDONALD, INC.

Turf Maintenance Equipment
Dennis DeSanctis - Ed Rockhill - Bill Luthin
(201) 471-0244

RALPH MCGILLAN

Excavating Contractor, Lakes & Ponds
Ralph McGillan
(609) 655-2281

JOSEPH M. MERCADANTE, INC.

Cart Path, Tee, and Trap Construction
Joe Mercadante - Bob Mercadante
(201) 762-1195 (201) 763-0042

METRO MILORGANITE, INC.

Turfgrass Supplies
Rich Appar - Joe Stahl
(914) 666-3171

MONTCO/SURF-SIDE

Turfgrass Chemicals
Robert Oechsle - Peter Oechsle
(215) 628-3144 (215) 836-4992

NOR-AM CHEMICAL CO.

Chemical/Fertilizer Manufacturer
Shaun M. Barry
(201) 846-8173

PARTAC PEAT CORPORATION

Golf Course Top-Dressing
Jim Kelsey (201) 637-4191

PAVELEC BROS. GOLF COURSE

CONSTRUCTION CO., INC.
Golf Course Construction
Tony Pavelec (201) 667-1643
Emil Pavelec (201) 939-6182

PLANT FOOD CHEMICAL CO., INC.

Manufacturer of Fluid Fertilizers
Ted Platz
(609) 448-0935

POCONO TURF SUPPLY CO.

Turf Supplies
Ron Olsen
(215) 672-9274

PRO LAWN TURF PRODUCTS, INC.

Services for the Professional
Andrew Mulick (201) 967-9124
Ingrid A. Kern (215) 750-1732

ROCKLAND CHEMICAL CO., INC.

Turfgrass Chemicals & Fertilizer
Steve Stys
(201) 575-1322

R & S LANDSCAPING CO., INC.

Golf Course Construction
Claus I. Raven
(201) 278-0616

SEACOAST LABORATORIES, INC.

Twin Light Turf Products
John C. Moynihan - Richard G. Baker
(201) 821-4769 (800) 522-4769

GEO. SCHOFIELD CO., INC.

Landscape Products - Sands & Stone
Roy Malpas - Kent Caldwell - Tom Casmer
Russ Balunis (201) 356-0858

O.M. SCOTTS & SONS

Fertilizer, Chemical Sales
Fran Berdine (914) 361-4105
Steve Rudich (215) 253-4003

SHEARON ENVIRONMENTAL DESIGN

Golf Course reconstruction, landscape services, tree transplanting
Chip Kern, CGCS
(609) 466-0666 (215) 828-5488

STEVEN WILLAND INC.

Turf Equipment Distributor
Mark Ericson - Bruce Pye - Rich Brandel
(201) 579-5656

STORMY ACRES

Premium Bentgrass Sod
Kevin Gunn
(802) 265-3046

STORR TRACTOR COMPANY

Turf Maintenance Equipment, Irrigation
Paul Deschamps - Gene Tarulli - Paul Granger
(201) 722-9830

WILLIAM STOTHOFF CO. INC.

Well Drilling, Pumps & Pump Repairs
William L. Stothoff III (Pete) - William E. Snyder
(201) 782-2717

★ SEQUOIA TREE SERVICE INC.

Paul Portsmore - John Schaus - J.T. Kievit
201-891-0309

SWEENEY SEED CO.

Wholesale Seed
Andrew M. Sweeney
800-544-7311

THE TERRE COMPANY OF NJ, INC.

Seed - Fertilizer - Pesticides - Nursery stock
Byron Johnson - Bryan Bolechala - Pat O'Neil
(201) 473-3393 - FAX 473-4402

TURF PRODUCTS CORPORATION

Turfgrass Supplies
Ernie Rizzio - Buddy Rizzio - Ron Lake
(201) 263-1234

VAUGHAN'S SEED COMPANY

Horticultural Supplies
George Rosenberg - Sky Bergen - Charles Usic
(800) 942-7706

★ *New Patrons for 1990*

Baltusrol • Bedens Brook • Canoe Brook •
Shackamaxon • Spring Brook • Timber Trails and others . . .

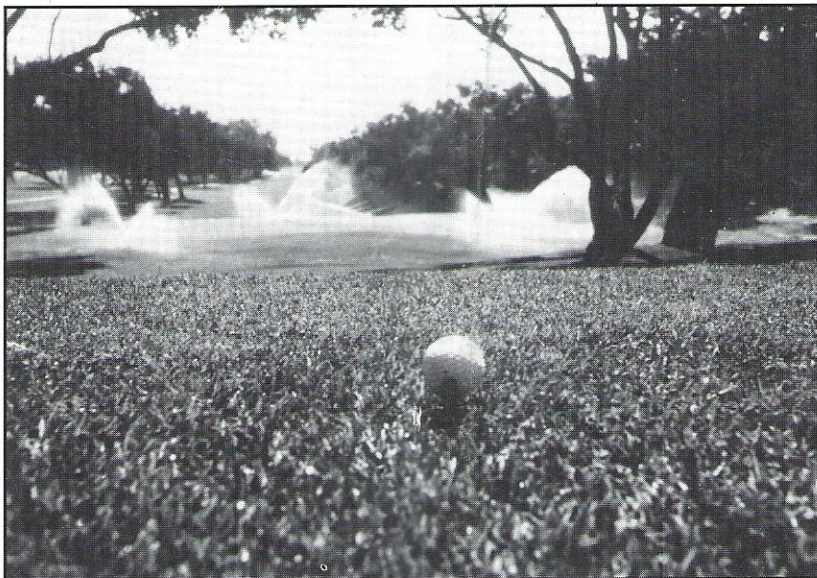
What do the superintendents of these
prestigious golf courses have in common?

They use the services of . . .

KOONZ

SPRINKLER SUPPLY

. . . the smart choice for all your irrigation needs



SERVICE EXCELLENCE

- Complete inventory
- Service assistance and technical support
- 25 years experience

QUALITY PRODUCT LINES

Distributors of

RAIN BIRD®

HUNTER®

WEATHERMATIC®

Sprinkler Equipment

KOONZ

Sprinkler Supply, Inc.

39 Waverly Avenue • Springfield, N. J. 07081

(201) 379-9314

Branch Offices: Wall Township • Toms River • Hackensack